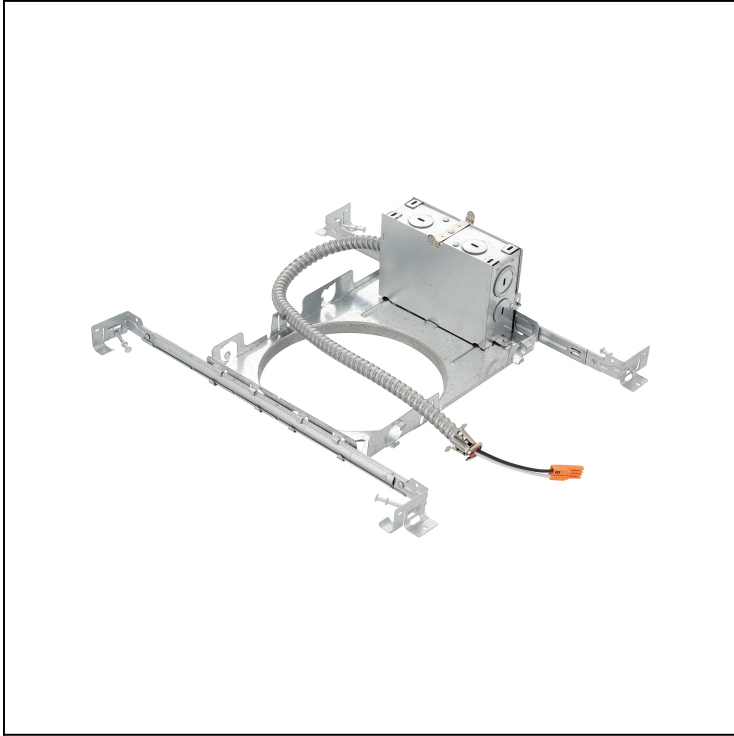


MODEL #: EVMPxHBMJ2W-I

FINISH:

DESCRIPTION: 6 in. New Construction Plaster Frame

BASIC FEATURES & INFO



DIMENSIONS

LAMPING

CERTIFICATIONS & RATINGS

OPTICS